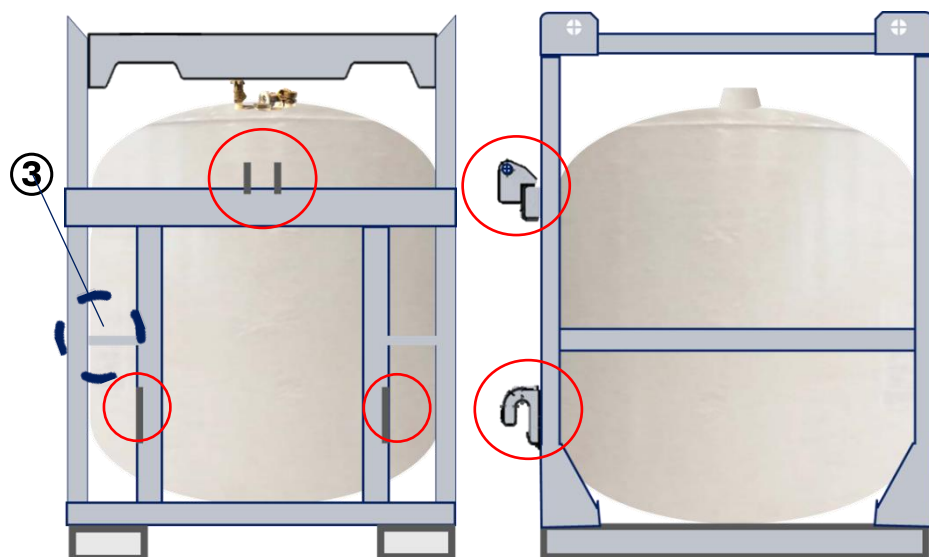




DATA SHEET | Propane tank

Characteristics

Volume	Frame weight	empty tank	full tank	total
760 l.	136 kg	221 kg	317,4 kg	674,4 kg
	Frame Material	High-strength structural steel		



Specification of materials

Pos.	Description	Material	
4	Screw M16 x 50, DIN	pcs	4
5	Nut M16	pcs	4
6	Washer square 16	pcs	4
7	Washer paddle 16	pcs	8
8	Screw M8 x 25	pcs	1
9	Washer 8	pcs	2
10	Nut M8	pcs	1
11	Grounding conductor, 2 m	pcs	1

Measures mm

Width	Length	Height	Weight
1092	1092	1510	357 kg

